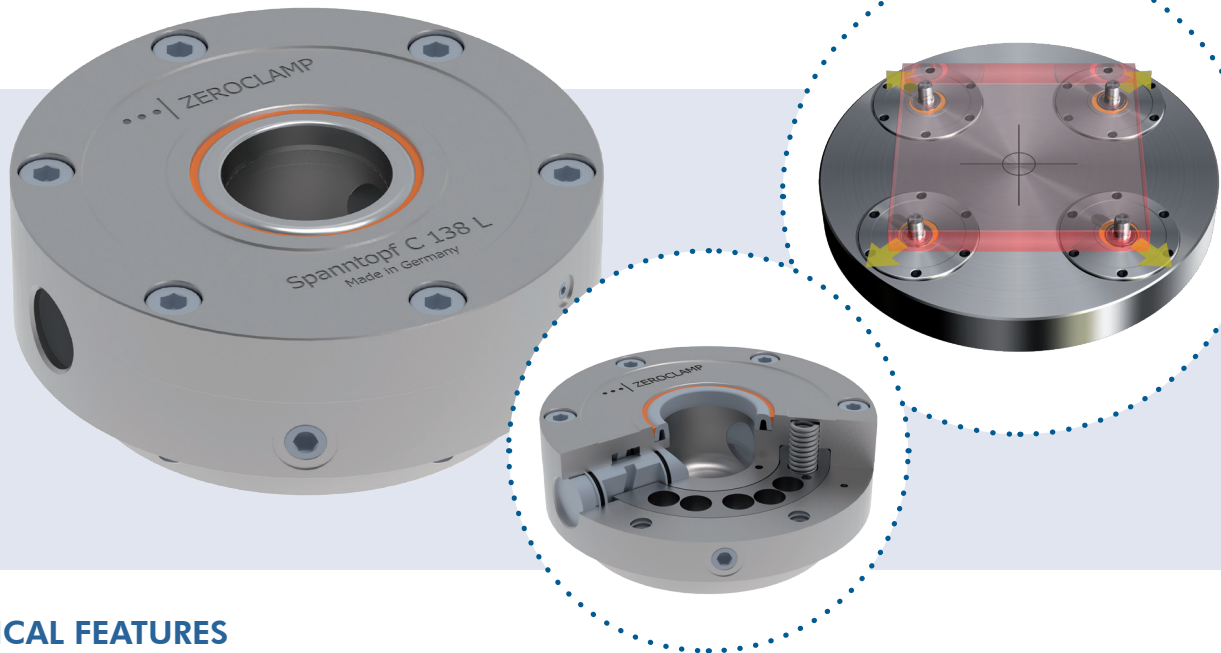




Zero Point Clamping Units C 138 L & Z 138 L

INTERCHANGEABLE WITH SCHUNK VERO-S AND UNILOCK 138



TECHNICAL FEATURES

- ✓ Compatible with Schunk Vero-S and Unilock 138 clamping modules
- ✓ ZeroClamp's patented Zero Point center cone technology offers the highest accuracy with $2.54 \mu\text{m}$ (0.0001") repeatability. Thermal growth is always at the center point of the axis, important for accurate machining
- ✓ 1 piece sealed heat treated stainless steel construction
- ✓ The "C 138L" model can be used with Schunk or Unilock type A, B & C clamping pins or knobs "A" is recommended for the highest accuracy and is also available from ZeroClamp
- ✓ ZeroClamp's design does not require type A, B & C clamping pins to be placed in specific patterns to compensate for thermal growth and misalignments
- ✓ The "Z 138L" model uses ZeroClamp's standard clamping stud, minimizing inventory
- ✓ ZeroClamp's design has 30% more piston stroke and force for clamping of the slides with 14 springs provides high pull in force throughout the stroke
- ✓ 5 air ports available on the back as standard- open, turbo function, blowout function and dynamic pressure monitoring of open and clamped for each clamping slide, in addition to 2 side air ports for open and turbo
- ✓ German precision and quality with design patented worldwide
- ✓ Industry 4.0 product

Thermal Symmetry for absolute Zero Point is guaranteed with ZeroClamp's patented center cone technology. Using the same principle as an HSK tool taper interface with zero radial play, together with the axial position relative to the axial face. Direct replacement for Schunk Vero-S and Unilock clamping modules.

Operating Principal

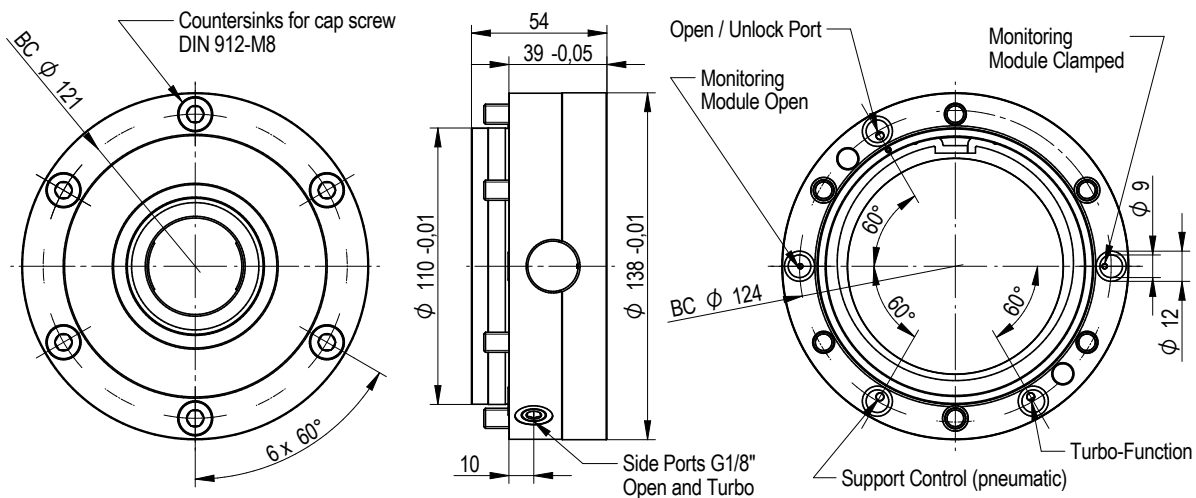
In the slider area, recessed in the piston are drivers with a 15° angle in a slot which produces a linear movement of the clamping sliders during the piston stroke. The 2 clamping sliders move radially to lock the clamping stud with force from 14 tension springs.



Zero Point Clamping Units C 138L & Z 138L

Zero Point Clamping Unit Models	C 138L Compatible to Schunk/Unilock	Z 138L ZeroClamp System
Pull-in force kN	8 (1,800 lbs.)	8 (1,800 lbs.)
Pull-in force with turbo kN	25 (5,620 lbs.)	25 (5,620 lbs.)
Holding force kN M10/M12/M16	35/50/70 (7,860/11,240/15,720 lbs.)	35/50/70 (7,860/11,240/15,720 lbs.)
Undamp pressure bar	6 (85 lbs.)	6 (85 lbs.)
Repeat accuracy mm	< 0.0025 (0.0001")	< 0.0025 (0.0001")
Weight kg	3.7 (8 lbs.)	3.7 (8 lbs.)
Max. stud retraction mm	1 (.040")	1 (.040")
Radial compensation mm	0.1 (0.004")	0.1 (0.004")

Technical Data C 138L & Z 138L



Models and Accessories

Model	Zero point clamping unit C 138L	Zero point clamping unit Z 138L
P/N	34465	34452
Version	without indexing	without indexing

	Sealing stud for C 138L	Sealing stud for Z 138L
P/N	36371	19233

	Clamping stud for C 138L		Clamping stud for Z 138L	
P/N	36155	20178	20298	19984
Size	25M16	18M12	18M16	25M16
Fitting	25k6	18k6	18k6	25k6
Thread	M16	M12	M16	M16

TEKNICS ZeroClamp USA
170 Beaver Brook Road
Lincoln Park, New Jersey 07035
USA

Phone: (973) 633-7575 X115
Fax: (973) 633-7711

Email: sales@teknics.com
www.zeroclamp.com

ZeroClamp GmbH
Albert-Mayer-Straße 13
D-83052 Bruckmühl
Germany

Phone: +49 8062 72948-0
Fax: +49 8062 72948-199

Email: info@zeroclamp.com
www.zeroclamp.com